

## FZ (Combination device of varistor and alarm fuse)

To surely protect against big surge like a lightning.

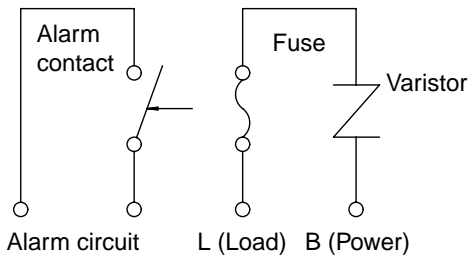


Net weight 21g

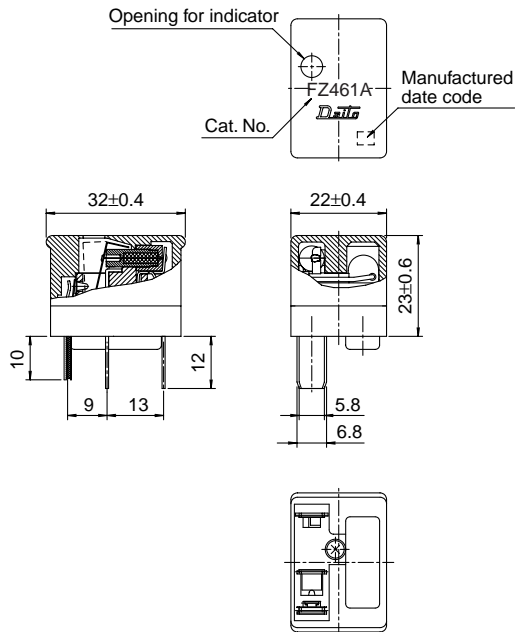


Applicable Fuseholders  
Fuseholders, Type P4-1S, 2S,  
4S, 1C, 2C and 1P

### Basic circuit



### Construction



### Features

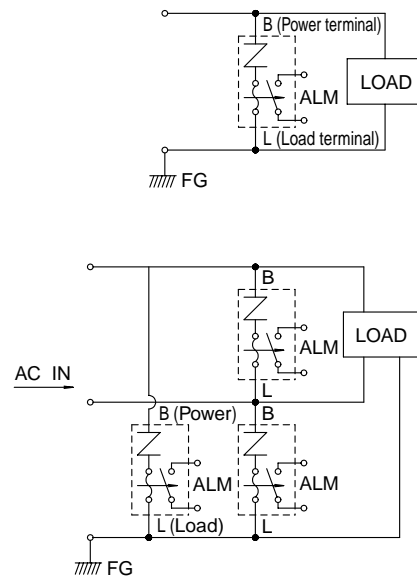
- (1) When varistor is failure or break, alarm fuse which connect series to varistor interrupts short circuit currents. At the same time, alarm contact closes and white indicator appears.
- (2) Plug-in type
- (3) High withstand surge current
- (4) Low clamping voltage

### Specifications

Cat. No.		FZ820A	FZ251A	FZ461A
Max. Allowable voltage		AC50V DC65V	AC150V	AC280V
Varistor voltage *1	Nominal	82V	250V	460V
	Range	74~90V	216~264V	423~517V
Max. clamping voltage *2		165V	395V	775V
Withstand surge current *3		1,400A		
Energy *4		44J	80J	150J
Ambient temp.		-20°C~70°C		
Storage temp.		-20°C~85°C		

- (Note)\*1. The voltage between terminals at DC1mA.  
\*2. The maximum voltage between terminals with the surge current 40A (8/20μs).  
\*3. The maximum current without failure when surge current 1400A applied two times with an interval of 2 minutes.  
\*4. The maximum energy without failure when rectangular wave current of 2 ms applied one time.

### Example of use



Information in this catalog may be subject to change without notice. Please confirm product information when ordering.