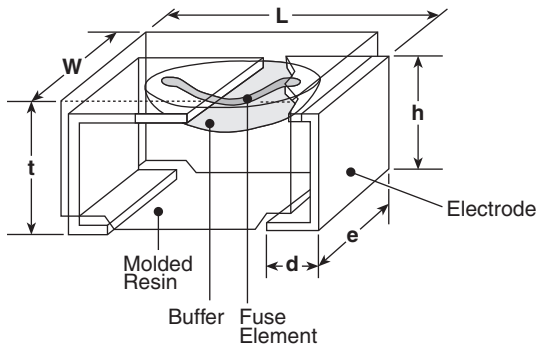


### features

- Immediate cut-off of excessive heat
- No generation of heat
- UL94V0 epoxy case
- Suitable for flow and reflow soldering
- UL248.14, file #131375
- One-time fuse device
- Marking: Black body color with yellow marking
- Products with lead-free terminations meet EU RoHS and China RoHS requirements

circuit protection

### dimensions and construction



Size Code	Dimensions inches (mm)					
	L	W	t	h	e	d
2B	.126±.008 (3.2±0.2)	.063±.008 (1.6±0.2)	.047±.008 (1.2±0.2)	.031±.004 (0.8±0.1)	.047±.004 (1.2±0.1)	.024±.004 (0.6±0.1)
2E		.098±.008 (2.5±0.2)	.087±.008 (2.2±0.2)	.075±.004 (1.9±0.1)	.067±.004 (1.7±0.1)	.02±.004 (0.5±0.1)

### ordering information

New Part #	CCP	2B	20	Nil	T	TE
	Type	Size Code	Rating	Fusing Magnification	Termination Material	Packaging
		2B: 1206 2E: 1210	Reference rating chart	Nil: 2B, 2E: 250% H: 2E: 200%	T: Sn	TE: 7" embossed plastic (2B - 3,000 pieces/reel) (2E - 2,000 pieces/reel)

### applications and ratings

Part Designation	Current Rating	Fusing Current	Fusing Time	Internal R. Maximum (mΩ)	Maximum Open Circuit Voltage*	Rated Ambient Temperature	Operating Temperature Range
CCP2B15	0.75A	1.5A	1 second max. @ fusing current	150	24V (40V/76V)	+70°C	-40°C to +125°C
CCP2B20	1.00A	2.0A		100			
CCP2B25	1.25A	2.5A		75			
CCP2B30	1.50A	3.0A		60			
CCP2B35	1.75A	3.5A		50			
CCP2B40	2.00A	4.0A		45			
CCP2B50	2.50A	5.0A		35			
CCP2B63	3.15A	6.3A		23			
CCP2B80	4.00A	8.0A		19			
CCP2B100	5.00A	10.0A		15			

\* Note: High rated voltage (76V: 0.76A - 2A; 40V: 2.5A - 3.15A) also available, please contact factory.

For further information on packaging, please refer to Appendix A.

Specifications given herein may be changed at any time without prior notice. Please confirm technical specifications before you order and/or use.

1/06/09

## applications and ratings (continued)

chip fuse protection

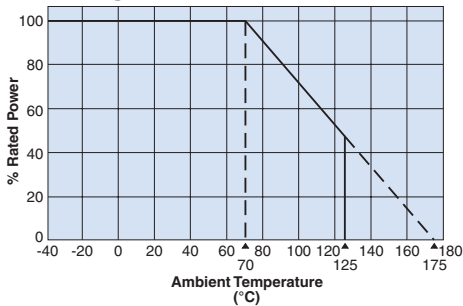
NEW

Part Designation	Current Rating	Fusing Current	Fusing Time	Internal R. Maximum (mΩ)	Maximum Open Circuit Voltage	Rated Ambient Temperature	Operating Temperature Range
CCP2E10H	0.50A	1.0A	1 second max. @ fusing current	200	72V	+70°C	-40°C to +125°C
CCP2E13H	0.65A	1.3A		170			
CCP2E15H	0.75A	1.5A		150			
CCP2E20H	1.00A	2.0A		100			
CCP2E25H	1.25A	2.5A		75			
CCP2E30H	1.50A	3.0A		60			
CCP2E35H	1.75A	3.5A		50			
CCP2E38H	1.90A	3.8A		48			
CCP2E40H	2.00A	4.0A		45			
CCP2E45H	2.25A	4.5A		40			
CCP2E50H	2.50A	5.0A		35			
CCP2E63H	3.15A	6.3A		23			
CCP2E100	4.00A	10.0A		15			
CCP2E10	0.4A	1.0A		200			
CCP2E13	0.52A	1.3A		170			
CCP2E15	0.6A	1.5A		150			
CCP2E20	0.8A	2.0A		100			
CCP2E25	1.0A	2.5A		75			
CCP2E30	1.2A	3.0A		60			
CCP2E35	1.4A	3.5A		50			
CCP2E38	1.5A	3.8A		48			
CCP2E40	1.6A	4.0A		45			
CCP2E45	1.8A	4.5A		40			
CCP2E50	2.0A	5.0A		35			
CCP2E63	2.5A	6.3A		23			

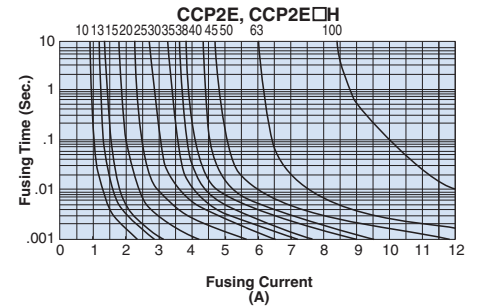
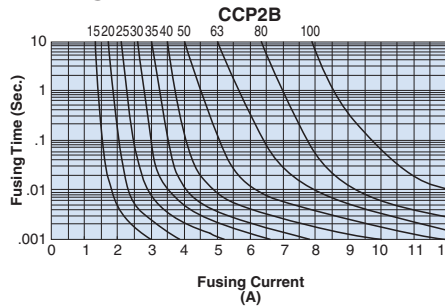
Note: High rated voltage (76V: 0.75A ~ 2A; 40V: 2.5A ~ 3.15A) also available, please contact KOA

## environmental applications

### Derating Curve



### Fusing Characteristics



## Performance Characteristics

Parameter	Requirement	Test Method
Clearing Time	Within 1 second	CCP2B and CCP2E_H: 200% of rated current shall be carried CCP2E: 250% of rated current shall be carried
Open Circuit Voltage	No fusing, flaming, explosion	Apply DC voltage between the termination after fusing CCP2B: 24V, CCP2E: 72V
Residual Resistance	Over 10kΩ	Measuring DC resistance after fusing
Bending Test	No breakdown of termination and disconnection	Holding point: 90mm, Bending: 10mm, 1 time
Resistance to Solder Heat	ΔR: ±10%	260°C ± 5°C, 10 seconds ± 0.5 seconds, 3 cycles
Solderability	95% coverage minimum	230°C ± 5°C, 3 seconds ± 0.5 seconds
Load Life	ΔR: ±10%	70°C ± 3°C, 1000 hours, rated current
Moisture Resistance	ΔR: ±10%	40°C ± 2°C, 90% RH, rated current
Temperature Cycling	ΔR: ±10%	-40°C (30 minutes)/+125°C (30 minutes), 10 cycles
Resistance to Solvent	No aberration of marking in appearance	Conforming to MIL-STD-202F

Specifications given herein may be changed at any time without prior notice. Please confirm technical specifications before you order and/or use.

1/06/09